

6

5

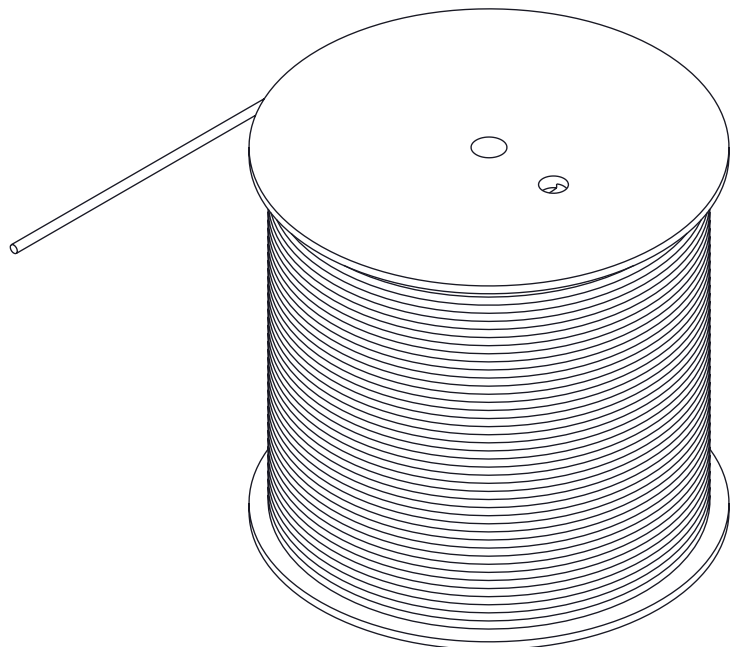
4

3

2

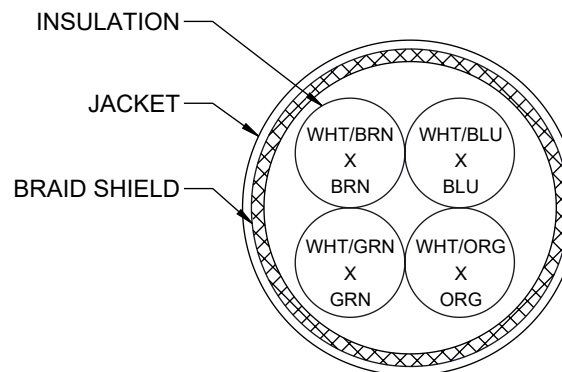
1

TFCHF2004-XXX CONSISTS OF A CONTINUOUS LENGTH OF BULK CABLE



REVISION					
ZONE	REV	DESCRIPTION	DATE	CHANGED BY	APPROVED
	H	UPDATED PER ECO-14641	06/17/2025	HBAKKE	DGUST

CROSS-SECTIONAL VIEW



COLOR CODE
 BLUE x WHITE/BLUE
 ORANGE x WHITE/ORANGE
 GREEN x WHITE/GREEN
 BROWN x WHITE/BROWN

NOTES:

- CONSTRUCTION:**
 CONDUCTOR: 26 AWG STRANDED TINNED COPPER
 INSULATION MATERIAL: POLYOLEFINE, O.D: 0.043[1.08] MAX
 PAIRS: COLOR CODED SINGLES TWISTED INTO PAIRS
 SHIELD: TINNED COPPER BRAID (COVERAGE: NOM. 85%)
 OUTER JACKET: TPU (THERMOPLASTIC POLYURETHANE), BLUE;
 CABLE DIA: 0.248 ±0.012[6.3±0.3]
- PHYSICAL PROPERTIES:**
 FIXED TEMPERATURE RATING: -40°C TO +80°C
 FLEX TEMPERATURE RATING: -20°C TO +50°C
 JACKET IS OIL AND ABRASION RESISTANT
 FLEX TESTED FOR 2.5 MILLION FLEX CYCLES
 MINIMUM BEND RADIUS - FIXED: 8x OUTER DIAMETER [1.98"]
 MINIMUM BEND RADIUS - FLEXING: 15x OUTER DIAMETER [3.72"]
- AGENCY APPROVALS:**
 UL: AWM STYLE 21576; CANADA: cRU AWM I/II A/B FT2, FLAME
 RETARDANT IEC 60332-2-2, HALOGEN FREE IEC60754-1, RoHS
 COMPLIANT
- ELECTRICAL CHARACTERISTICS:**
 MAXIMUM OPERATING VOLTAGE: 125 V (NOT FOR POWER
 APPLICATIONS)
 RATED VOLTAGE: 1000V
 IMPEDANCE: 100 ±15 OHM 1-100 MHz
 MAXIMUM CABLE RUN: 196.0 FT (60.0 M)

MODEL NUMBER	LENGTH	COLOR	PACKAGING
TFCHF2004	1000.0 FT	BLUE	SPOOL
TFCHF2004-100	100.0 FT	BLUE	POLY BAG
TFCHF2004-250	250.0 FT	BLUE	SPOOL

UNLESS OTHERWISE SPECIFIED
 LEADING DIMENSIONS ARE INCHES
 DIMENSIONS IN [] ARE MILLIMETERS

TOLERANCES:

.X = ±.2 [5]	FRACTIONS
.XX = ±.02 [0.5]	± 1/32
.XXX = ±.005 [0.13]	ANGLES ± 1°

CABLE LENGTH TOLERANCES:

≤12 [305]	= +1 [25] / -0
>12 [305] ≤ 60 [1524]	= +2 [51] / -0
>60 [1524] ≤ 120 [3048]	= +4 [102] / -0
>120 [3048] ≤ 300 [7620]	= +6 [152] / -0
>300 [7620]	= +5% / -0

ALL DIMENSIONS ARE FOR REFERENCE ONLY
 AND SUBJECT TO CHANGE WITHOUT NOTICE.
 UN-DIMENSIONED/NON-CRITICAL FEATURES
 MAY VARY IN SIZE AND LOCATION
 COLORS MAY VARY

L-com
 an INFINIT® brand

Website: www.L-com.com
 Phone: 1.800.341.5266 | 1.978.682.6936



INTERPRET ALL DIMENSIONS AND
 TOLERANCES PER ASME Y14.5

SCALE	SHEET
NONE	1 OF 1

DESCRIPTION				
C5e S/UTP 26STR HF BLUE TPU IND				
SIZE	CAGE CODE	DRAWN BY	ITEM NO.	REV
A	43321	DFRISIELLO	TFCHF2004	H

THE INFORMATION CONTAINED IN THIS DRAWING IS THE SOLE PROPERTY OF INFINITE ELECTRONICS, INC. ANY REPRODUCTION IN PART OR WHOLE WITHOUT THE WRITTEN PERMISSION OF INFINITE ELECTRONICS, INC. IS PROHIBITED. THESE COMMODITIES, TECHNOLOGY OR SOFTWARE WERE EXPORTED FROM THE UNITED STATES IN ACCORDANCE WITH THE EXPORT ADMINISTRATION REGULATIONS. DIVERSION CONTRARY TO U.S. LAW PROHIBITED.

6

5

4

3

2

1